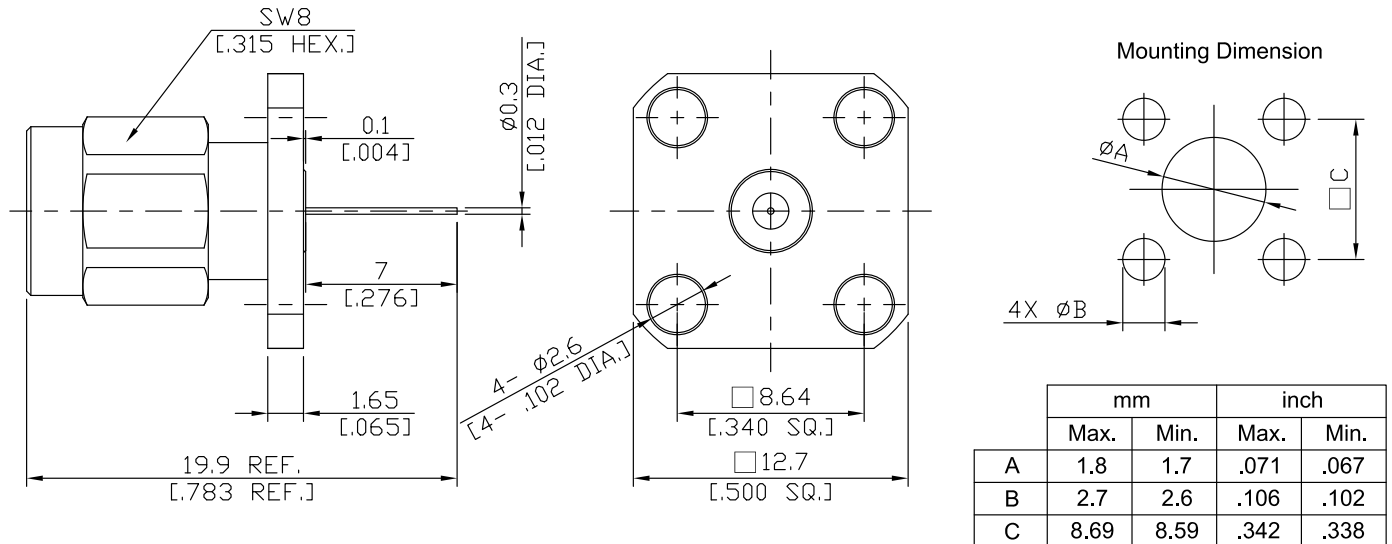


2.92mm Plug (Male) Connector Solder Attachment 4 Hole Flange Mount 0.3mm (.012")  
Coaxial Terminal, 8.64mm (.340") Hole Spacing DC-40GHz, VSWR 1.20

## K1GFA50-1990A / 9XX



All dimensions are in mm [inch]

Tolerances according to DIN ISO 2768-mH

### Interface

According to IEC 61169-35; IEEE Std 287  
Mechanically compatible with 3.50mm and SMA

### Electrical Data

Impedance 50 Ω  
Frequency DC to 40 GHz  
VSWR (Return Loss) ≤ 1.20 (≥ 20.83 dB)  
Insertion Loss ≤ 0.04 × √F (GHz) dB  
Insulation Resistance ≥ 5 GΩ  
Center contact resistance ≤ 3.0 mΩ  
Outer contact resistance ≤ 2.0 mΩ  
Test Voltage 750 V rms  
Working Voltage (at sea level) 250 V rms  
Power Handling ≤ 100 W @ 1 GHz

-VSWR in application depends decisive on PCB layout or cavity design-

### Material And Plating

Piece Parts	Material	Plating
Centre contact	Beryllium Copper	Gold plating (Non-magnetic nickel-phosphorus underplating)
Body	Stainless Steel	Passivated
Insulator	PEI	
Gasket	Silicone Rubber	
Coupling nut	Coupling nut	Passivated

The facts and figures herein are carefully compiled to the best of our knowledge, but they are intended for general informational purposes only. In the effort to improve our products, we reserve the right to make changes judged to be necessary.

Rev.:  
Date:  
SEP/15/2025

Rosnol RF/Microwave Technology Co., Ltd.  
[www.rosnol.com](http://www.rosnol.com); [info@rosnol.com](mailto:info@rosnol.com)  
Phone: +886-3-463-5095 / Fax: +886-3-463-5952  
N-CAGE Code: SFKK0 / ISO9001 Certified

Page  
1/2

2.92mm Plug (Male) Connector Solder Attachment 4 Hole Flange Mount 0.3mm (.012")  
Coaxial Terminal, 8.64mm (.340") Hole Spacing DC-40GHz, VSWR 1.20

## K1GFA50-1990A / 9XX

### Mechanical Data

Coupling mechanisms	Screw-lock
Mating Cycles	≥ 500
Centre Contact	Soldered
Terminal Type	Stub
Captivated Type	Mechanical Captivation
Center contact captivation	≥ 20 N
Coupling test torque	1.70 Nm
Recommended torque	0.80 Nm to 1.10 Nm

### Environmental Data

Temperature Range	-65°C to +165°C
Thermal shock	MIL-STD-202, Method 107, Condition B
Corrosion	MIL-STD-202, Method 101, Condition B
Vibration	MIL-STD-202, Method 204, Condition D
Shock	MIL-STD-202, Method 213, Condition I
Moisture Resistance	MIL-STD-202, Method 106
RoHS	compliant

### Packing

Single or 100